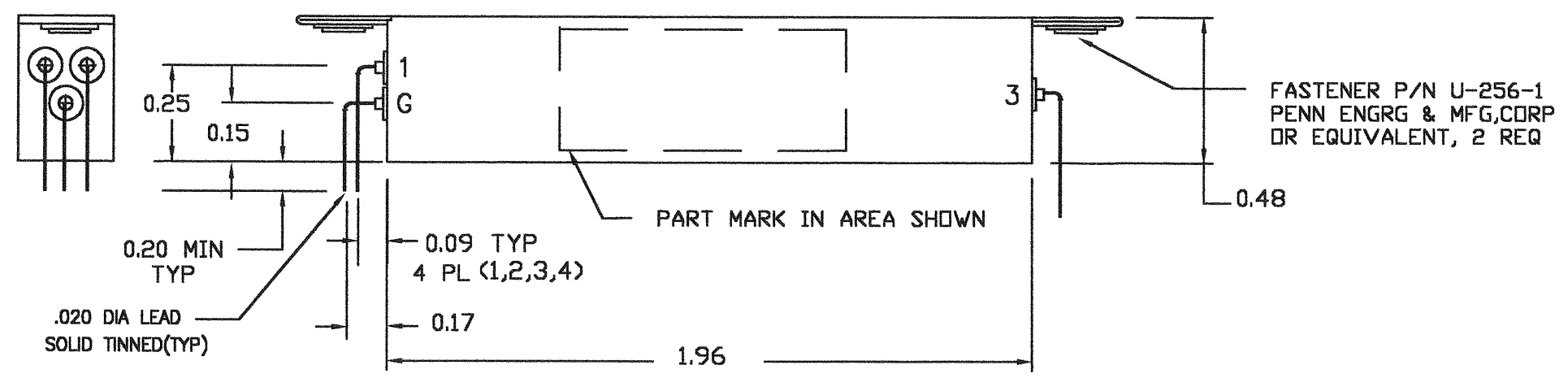
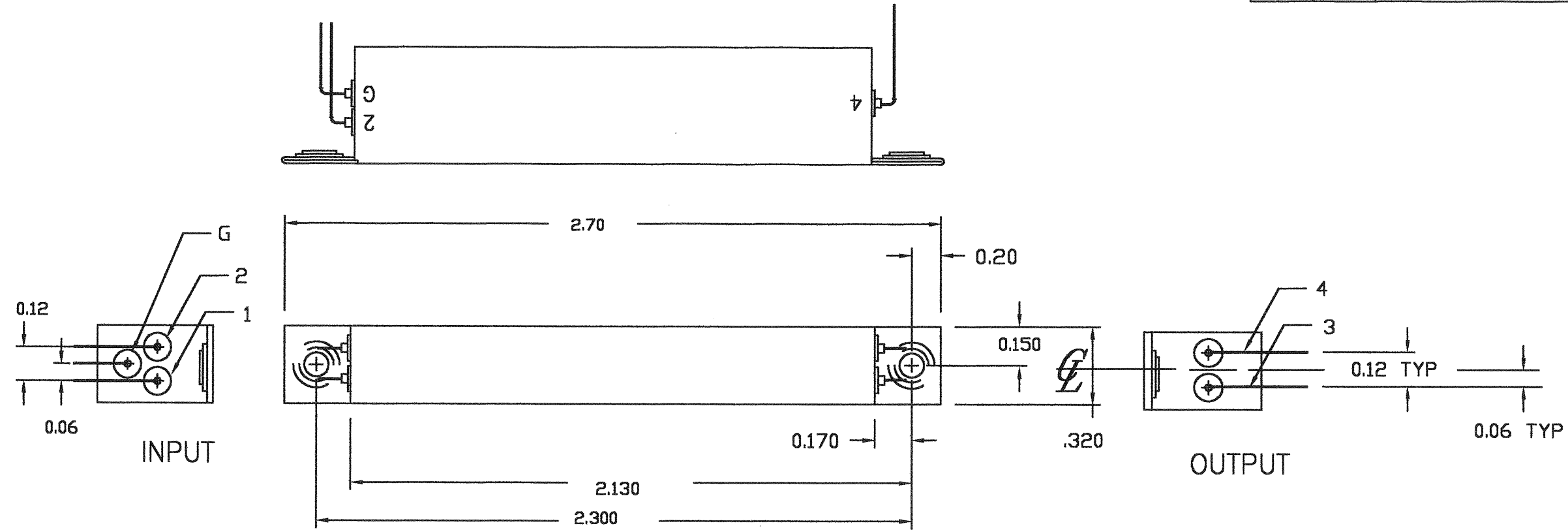


PROPRIETARY STATEMENT
 THIS DRAWING AND RELATED DOCUMENTS ARE PROPRIETARY INFORMATION AND THE SOLE PROPERTY OF LCR ELECTRONICS, INC., AND MAY NOT BE REPRODUCED IN WHOLE OR IN PART WITHOUT THE WRITTEN PERMISSION OF LCR ELECTRONICS, INC.

REVISIONS				
LTR	ECO	DESCRIPTION	DATE	BY
A	121500	SEE DAILY CHANGE	12/15/00	K.S.
B	06825	SEE ECN 06825	1-19-01	RS

DWG. NO.: 4.900.3307



- NOTES:
 1. RATINGS: 100VAC, 2X1.5 AMPS.
 2. BEND R. SAME FOR ALL LEADS.

ORIGINAL

F18312 USED ON	UNLESS OTHERWISE SPECIFIED	DWN BY	C.O.	1/7/00	LCR ELECTRONICS, INC. 9 S. FOREST AVE. NORRISTOWN, PA 19401	TITLE:	OUTLINE DWG - F18312
	BREAK ALL SHARP EDGES	CHKD	LIZ	3/27/00		MATERIAL: 26 GA CRS	
	REMOVE ALL BURRS	APPD	R.S.	3/28/00		FINISH: ETF	
	DIMENSIONS ARE IN INCHES	SCALE	2/1	CAGE CODE		OAM43	DRAWING NO.:
	TOLERANCES ARE					B	B
	DEC .XX = ±.02						
	DEC .XXX = ±.010						
	FRA=						
	ANG=						

Mouser Electronics

Authorized Distributor

Click to View Pricing, Inventory, Delivery & Lifecycle Information:

[Astrodyne TDI:](#)

[F18312](#)